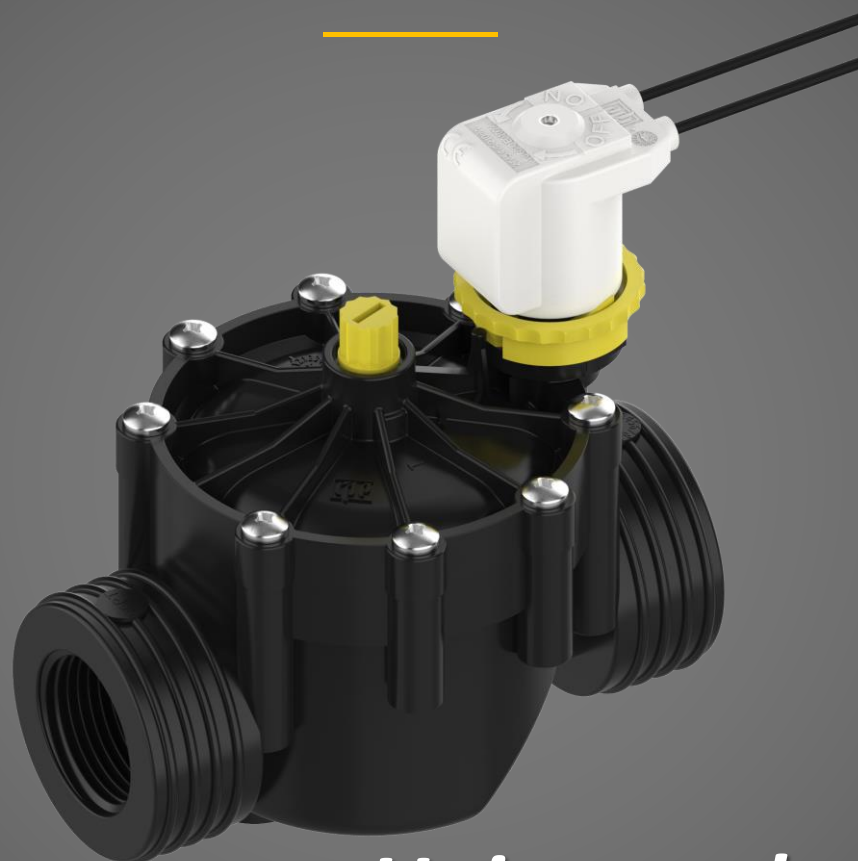




LOW PRESSURE VALVE– RESTYLING VERSION



Unique solution in the market

100% MADE IN ITALY



TECHNICAL FEATURES

Working Pressure:	0,05 – 1bar (0,725 – 14,5 psi)
Room/Fluid Temp:	0 – 60°C (0 – 140°F)
Flow Direction:	Unidirectional (inverse flow)
Nominal Diameter:	Ø25mm to 32mm
Control:	NC, NO, Latching
Inlet=Outlet	F : 1" – 1"1/4" plastic thread and 1" – 1"1/4" brass thread
Installing position:	Horizontal/Vertical





APPLICATIONS

Just imagine

...watering vegetable gardens with recycled water and automating the system...

'High-altitude' farming, where electric pumps cannot reach, and where simply placing a tank half a metre above ground level (0.05 bar) is enough to open and close the valve properly.



ALL YOU NEED IS 50 cm!!!

100%
MADE IN ITALY



APPLICATIONS

- ✓ Elevated tanks or reservoirs
- ✓ Gravity irrigation system
- ✓ Micro-irrigation and low-pressure drip irrigation – Vegetable gardens/Tunnels/Light greenhouses
Nurseries/Sensitive crops
- ✓ Livestock facilities / gravity-fed water supply
- ✓ Systems in rural areas: Areas without a stable electricity supply/Gravity-fed systems



STRENGTHS

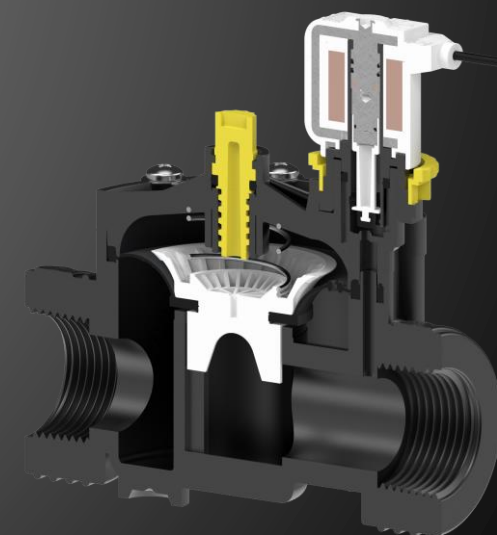
FLOW CONTROL ALWAYS UNDER CONTROL

Designed with a clearly **visible flow regulator** for simple, quick and intuitive use



EXTREME RELIABILITY: TESTED BEYOND THE LIMITS

It passes the explosion stress test and guarantees exceptional durability, having been **tested for over 50.000 operating cycles**



100%
MADE IN ITALY



STRENGTHS

SOLENOID WITH ANTI-VANDALISM SYSTEM

Designed to ensure **maximum security** even in exposed environments

VERSATILE INSTALLATION

It can be **installed in any position**, offering complete flexibility during installation.

EXCELLENT PERFORMANCE

A true **champion in minimizing pressure loss**, ensuring a more efficient and high-performing system



100%
MADE IN ITALY



“NOTHING GREAT HAS EVER DONE WITHOUT PASSION

G.W.F.Hegel

Solutions
100% MADE IN ITALY

'cause we do them better